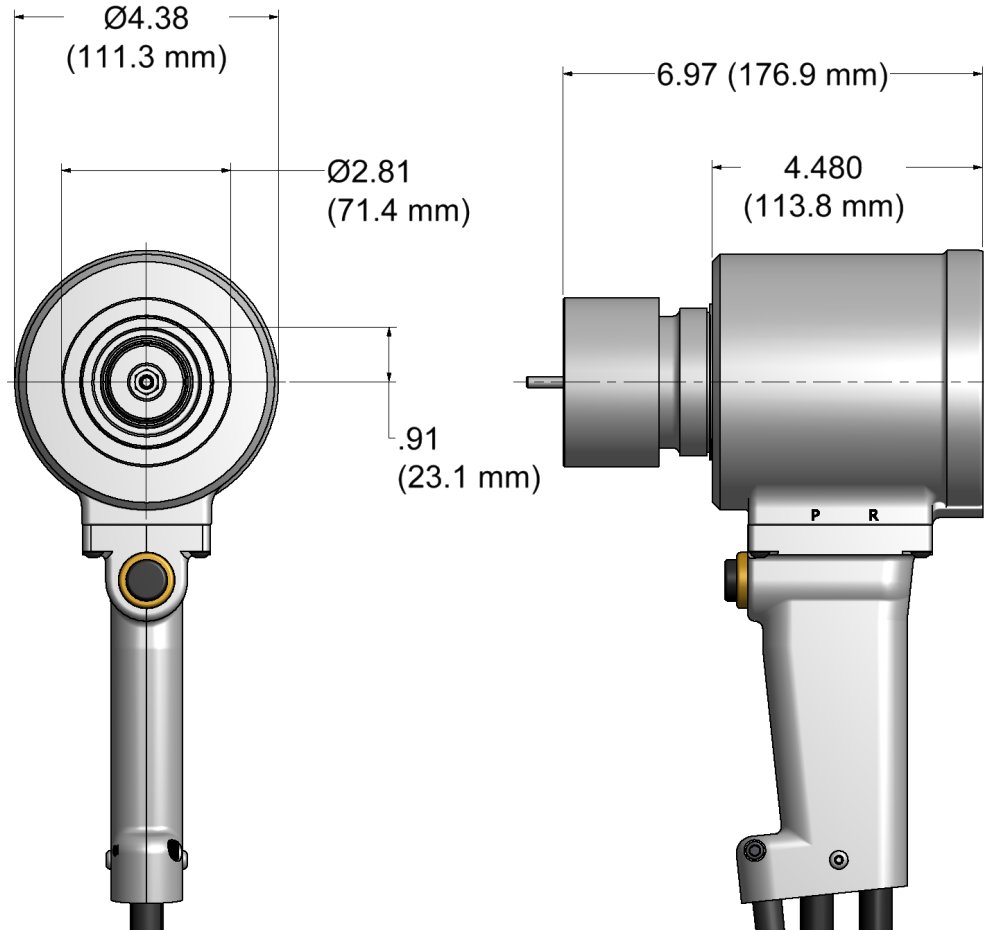


# GB585 GB585A

## HYDRAULIC INSTALLATION TOOL



### DESCRIPTION

The GB585 and the GB585A are hydraulic installation tools designed specifically for the efficient installation of 5/8" and 3/4" HP8 or standard lockbolts. It weighs just under 20 lbs. (9.07 kg.). It has a 1.600" (40.6 mm) rivet stroke and a rated pull load of 40,000 lbs. (177.9 kN).

The GB585 installation tool operates on hydraulic pressure developed by the GB940 Powerunit set at 5,400-5,700 psi (372.3 - 393.0 bar) maximum PULL pressure and 2,200-2,400 psi. (151.7 - 165.5 bar) maximum RETURN pressure. The tool comes equipped with 2 feet (.61 m) of hydraulic hoses and couplings, electric switch and cord.

The GB585A installation tool operates on hydraulic pressure developed by the GB910 & GB912 Powerunits set at 5,400-5,700 psi (372.3 - 393.0 bar) maximum PULL pressure and 2,200-2,400 psi. (151.7 - 165.5 bar) maximum RETURN pressure. The tool comes equipped with 2 feet (.61 m) of hydraulic hoses, swivels and couplings, air actuator and tube.

**ALL GAGE BILT HYDRAULIC INSTALLATION TOOLS ARE COMPATABLE WITH HUCK® POWERUNITS. NOSE ASSEMBLIES ARE NOT FURNISHED WITH THESE TOOLS AND MUST BE ORDERED SEPARATELY.**



# GB585 - SELECTION CHART



FASTENER	DIA.	NOSE ASSEMBLY
LOCKBOLT HIGH TENSILE PULL TYPE C50L®	5/8" 3/4"	20-585-41 24-585-46
BOM® BLIND OVERSIZE MANDREL	5/8" 3/4"	BOM20-585-41 BOM24-585-46
HP8®	5/8" 3/4"	HP20-585-41 HP24-585-46
MHP 10.9	16mm *20mm <sub>1</sub>	HP20-585-41 HP20MM-585-46

C50L®, BOM®, AND HP8® ARE A REGISTERED TRADEMARKS OF ARCONIC INC.

\*FOR NON-PRODUCTION APPLICATIONS ONLY.

1) POWER UNIT REQUIRES ADJUSTMENT TO 7,200 PSI FOR PULL AND 4,000 PSI FOR RETURN.

## NOSE ASSEMBLY KEY

20-585-41

A ~The first set of numerical digits represent the diameter of the fastener in 32nds of an inch (20/32)

B ~The second set of digits represent ONE of the tool models which MAY be used with this head (Model 585)

C ~The last set of numerical digits signify the "Gun Line," or reach of the pulling head to the nearest tenth of an inch. (41 is 4.1 inch "Gun Line")

12/17

## WARRANTY

Seller warrants that all goods covered by this catalog will conform to applicable specifications and will replace or repair, EXW our plant, any goods providing defective from faulty workmanship, or material, for 1 year from date of shipment.

Said warranty to remain in effect if, and only if, such goods are used in accordance with all instructions as to maintenance, operation and use, set forth in manuals and instruction sheets furnished by seller.

Sellers obligation under this warranty shall be limited to the repair or rework of the goods supplied or replacement thereof, at Seller's option, and in no case is to exceed the invoice value of said goods. Under no circumstances will the seller be liable for incidental or consequential damages or for damages incurred by the buyer or subsequent user in repairing or replacing defective goods or if the goods covered by this warranty are reworked or subjected to any type of additional processing.

This warranty is void if Seller is not notified in writing of any rejections or defects within 1 year after the receipt of the material by the customer.

**THIS WARRANTY IS MADE IN LIEU OF ALL OTHER WARRANTIES EXPRESSED OR IMPLIED, INCLUDING MERCHANTABILITY.**