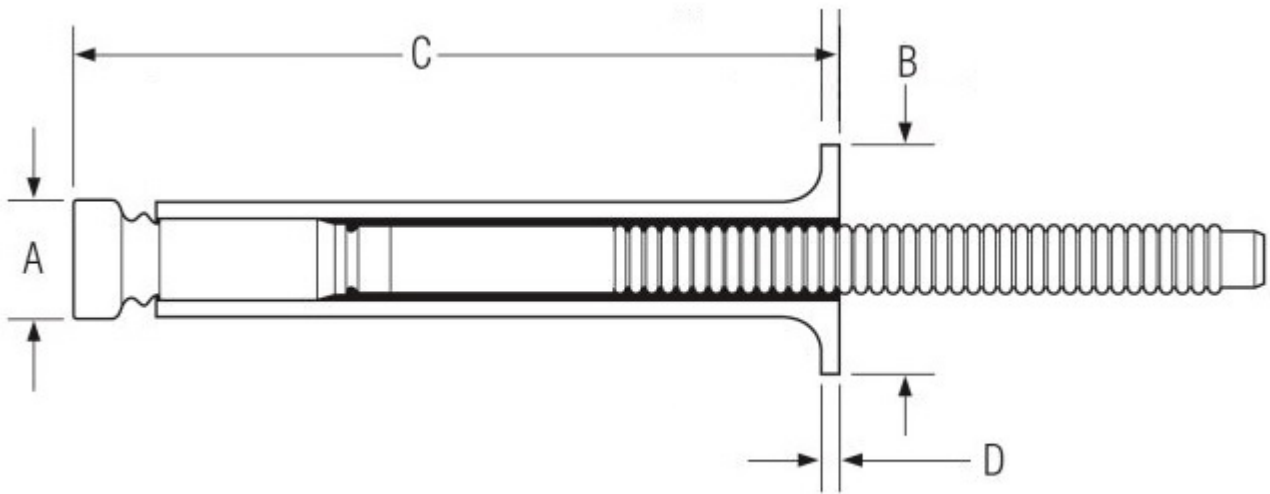


# Steel Floor Lock



Part No.	Grip Range	Rivet Size	A Max	B Max	C Max	D Max	Hole Diam.	Typical Performance	
								Tensile	Shear
<b>FLK10-20</b>	19.10 - 34.90	7.90	8.20	17.50	50.80	1.70	8.30 – 8.60	12455 N	19127 N

**Finish:** Body and mandrel Black zinc plated